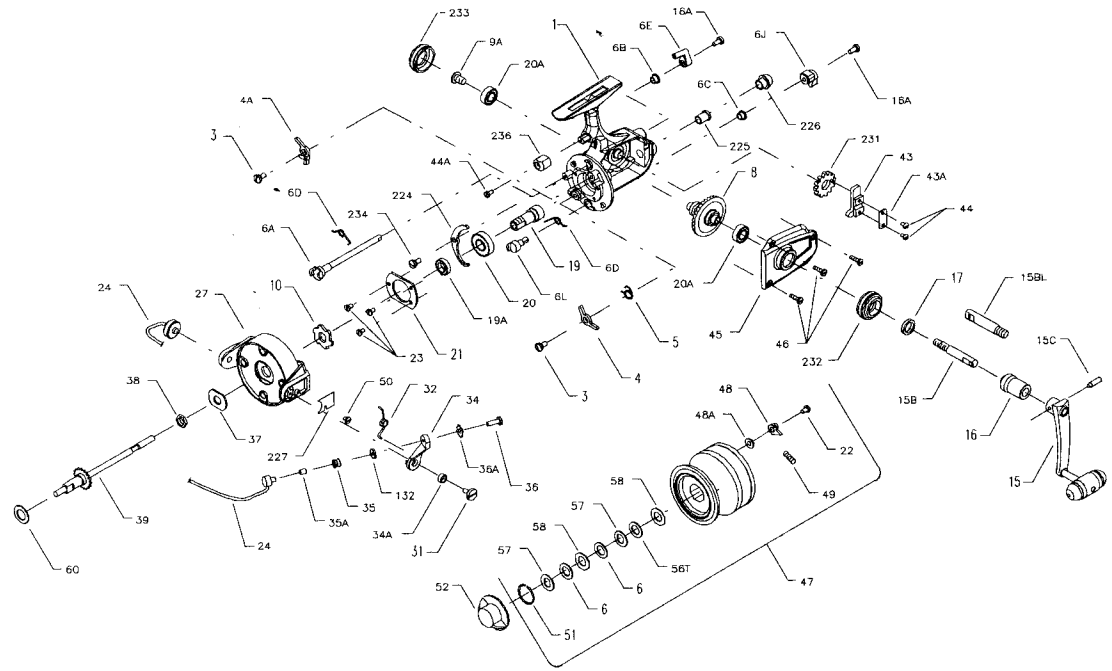




PARTS AND PRICE LIST FOR MODEL 650SS



Key No.	Part No.	Description	Price	Key No.	Part No.	Description	Price
1	001 650	Housing	\$17.00	34A	034A750	Bail Arm Bushing	\$.45
3	003 750	Dog Screw	.80	35	035 750	Line Roller	3.70
4	004 650	Dog	.90	35A	035A704	Roller Sleeve	.45
4A	004A650	Silent Dog	1.50	36	036 750	Bail Stud Screw	.65
5	005 704	Click Dog Spring	.50	36A	036A750	Lock Washer	.45
6	006 155	Drag Washer-HT100	.60	37	037 650	Rotor Washer	.80
6A	006A650	Upper Eccentric	2.50	38	038 710	Rotor Nut	.50
6B	006B750	Upper Eccentric Liner	.45	39	039 650	Crosswind Shaft	6.95
6C	006B700Z	Silent Eccentric Liner	.45	43	043 750	Crosswind Block	2.05
6D	006D710	Eccentric Spring	.45	43A	043A750	Crosswind Block Plate	.50
6E	006E750	Anti-Reverse Lever	1.00	44	044 750	Crosswind Block Screw (2 req.)	.45
6J	006J750	Silent Dog Lever	1.25	44A	044A 750	Trip Bumper Screw	.45
6L	006L650	Silent Eccentric	2.00	45	045 650	Housing Cover	7.50
*	*007 750	Pinion Bushing	1.10	46	046 750	Housing Cover Screw (3 req.)	.45
8	008 650	Main Gear	16.50	47	047 6500	Spool (Complete)	24.00
9A	009A650	Standard Drive Screw	.90	48	048 750	Click Tongue	.50
10	010 650	Ratchet	1.50	48A	048A750	Click Tongue Washer	.50
15	015 650	Handle	12.50	49	049 710	Click Tongue Spring	.50
15B	015B650	Standard Pivot	1.70	50	050 710	Bail Spring Cover Screw	.50
15BL	015BL650	Left Hand Pivot	1.70	51	051 650	Retaining Ring	.50
15C	015C650	Pivot Screw	.55	52	052 650	Drag Knob	5.25
16	016 650	Collar	1.80	56T	056T650	Drag Washer (Teflon)	.60
16A	016 910	Eccentric Screw (2 req.)	.50	57	057 650	Drag Washer (Keyed) Small Dia.	.50
17	017 650	Seal Washer	.45	58	058 650	Drag Washer (Octagon)	.50
19	019 650	Pinion	8.60	60	060 750	Thrust Washer	.80
19A	019A650	Pinion Spacer	.80	132	132 750	Roller Washer	.90
20	020 704	Bearing	14.00	224	224 650	Transfer Lever	1.80
20A	020 722	Bearing (2-Req.)	12.00	225	225 750	Crosswind Shaft Bushing	1.50
21	021 750	Bearing Cover	1.50	226	226 750	Bushing Cap Screw	1.15
22	022 750	Spool Click Screw	.45	227	227 750	Bail Spring Cover	.70
23	023 750	Bearing Cover Screw (3 req.)	.45	231	231 650	Crosswind Gear	3.70
24	024 650	Bail Wire	9.35	232	232 650	Bearing Cover (Open)	2.45
27	027 650	Rotor	12.75	233	233 650	Bearing Cover (Closed)	3.70
31	031 750	Bail Arm Screw	1.00	234	234 750	Transfer Lever Screw	.45
32	032 750	Bail Arm Spring	1.00	236	236 750	Trip Bumper	.55
34	034 750	Bail Arm	3.05	*	*300 6500	Power Handle	16.00

*Not Shown